

Section D



D





Convum Filters 4-5

Convum Silencers 6

ASN Series Air Line Mufflers..... 7

ECS Series Air Line Muffler — Reclassifier 8





Always filtrate the vacuum system to protect the components from damaging particles absorbed from the environment. Elements should be replaced periodically to prevent slower response and overall performance of the system.

Part Numbers

Item	Application	Male Connection
VF-2	CV-05, CV-10, MCA-05	G1/8"
VF-3	CV-05, CV-10, MCA-05	G1/8"
VF-5	CV-15, MCA-10/13	G1/4"
VF-6	CV-20/25/30	G3/8"
VFL-44	General Use	4mm - Tube
VFL-66	General Use	6mm - Tube
VFL-88	General Use	8mm - Tube

Spare Parts - Filter Elements

Item	For Filter
VF-2E	VF-2
VF-3E	VF-3
VF-5E	VF-5
VF-6E	VF-6
VFL-E	VFL-44, 66, 88
VF-3K	Cover, O-ring For VF-3, VF-5, VF-6

Specifications

Media	Non-Corrosive Air
Operating Vacuum	0 to 28 inHg
Maximum Pressure	60 PSI
Operating Temperature	32 to 140°F
Filtration	120 μ m (VF-2); 130 μ m (VF-3, VF-5, VF-6); 37 μ m (MC2-f, CVR-2F); 130 μ m (CVK-F)

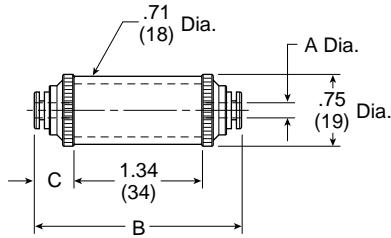
Materials

Item	Material Housing	Material Element	Weight (oz.)
VF-2	Aluminum	Acrylic, Stainless Steel	1.54
VF-3	Aluminum	PC, Polyvinyl	3.10
VF-5	Aluminum	PC, Polyvinyl	5.15
VF-6	Aluminum	PC, Polyvinyl	8.25
VFL-44	Poly-Carbonate	PC, Polyvinyl	.67
VFL-66	Poly-Carbonate	PC, Polyvinyl	.74
VFL-88	Poly-Carbonate	PC, Polyvinyl	.81



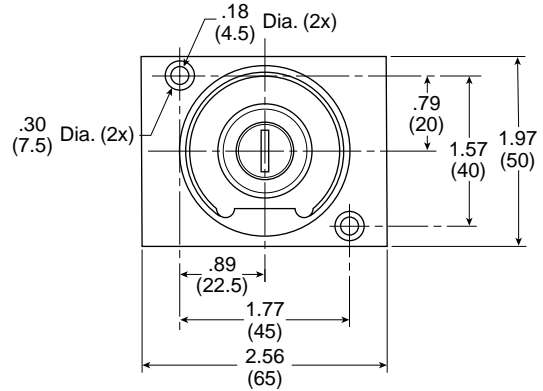
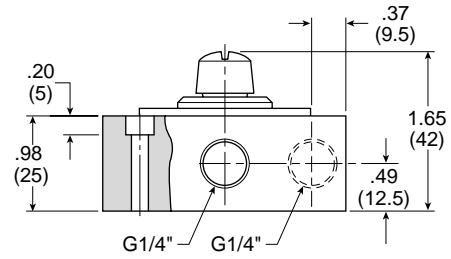
Dimensions

VFL Series

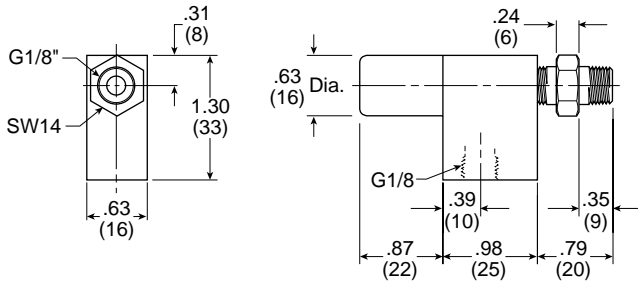


Item	A	B	C
VFL-44	.16 (4)	2.17 (55)	.41 (10.5)
VFL-66	.24 (6)	2.28 (58)	.47 (12)
VFL-88	.31 (8)	2.44 (62)	.55 (14)

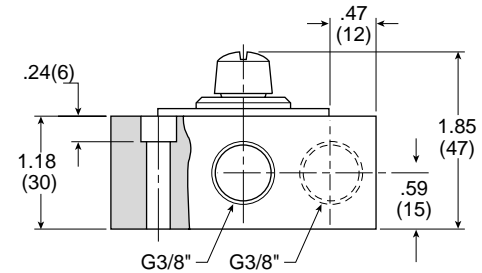
VF-5



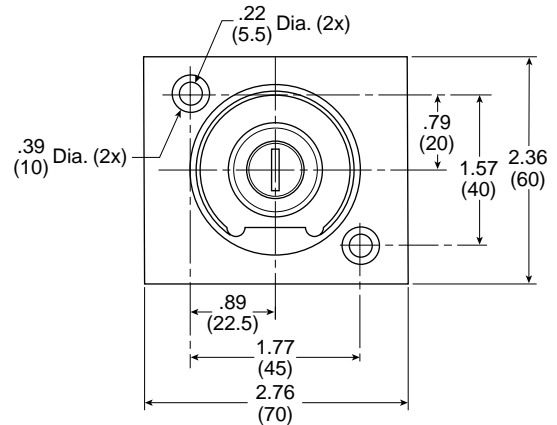
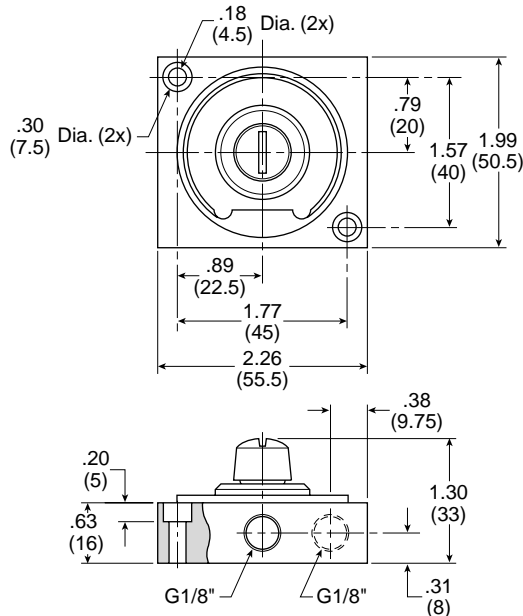
VF-2



VF-6



VF-3





Protect the environment against harmful noise levels with quality silencers.

Part Numbers

Item	For Ejector	Male Connection
MSS-01	CV-05, CV-10, MCA-05	G1/8"
MSS-02	CV-05, CV-10, MCA-05	G1/8"
MSM-01	CV-15, MCA-10/13	G1/4"
MSL-02	CV-20	G1/2"
MS6-01	CV-25, CV-30	G3/4"

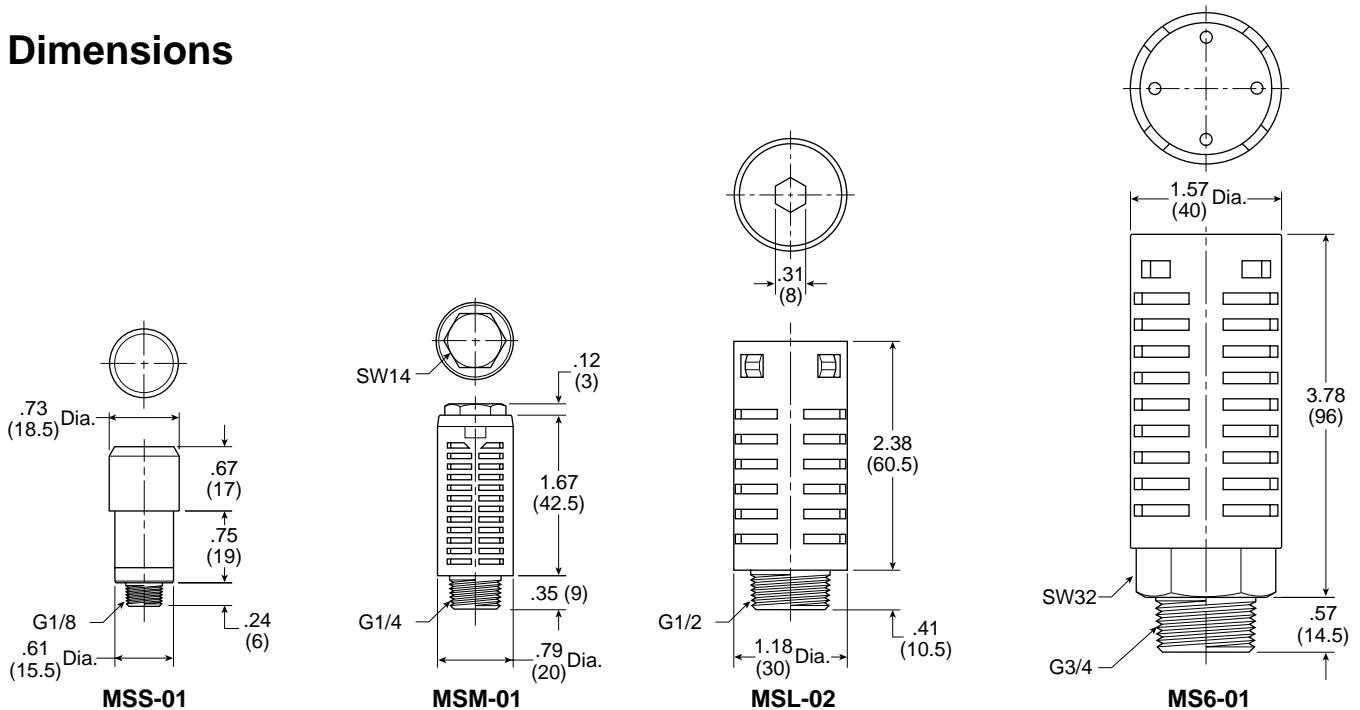
Specifications

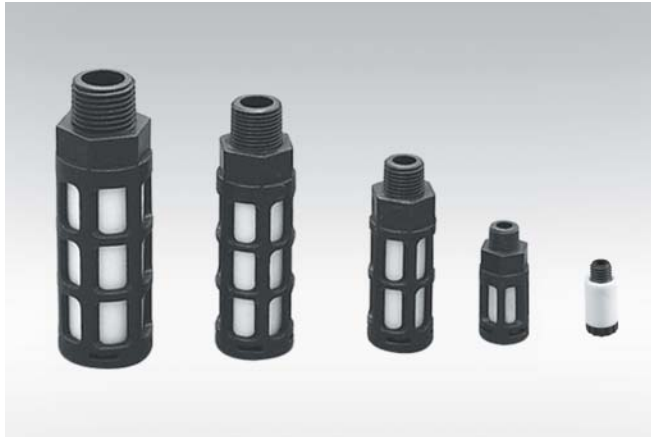
Media	Non-Corrosive Air
Maximum Pressure	128 PSI
Operating Temperature	41 to 132°F
Silencing Effect	20 dB

Materials

Item	Material Housing	Material Element	Media	Weight (oz.)
MSS-01	Polyacetal	Felt, Urethane	Air	0.17
MSS-02	Polyacetal	Stainless Steel	Oil	0.17
MSM-01	Polyurethane	Felt	Air	0.24
MSL-02	Nylon	Vinyl	Air	0.88
MS6-01	Nylon	Polyvinyl Forma	Air	2.01

Dimensions





Features

- Compact
- Lightweight
- Easy to install
- Excellent noise reduction
- Protects components from contamination
- NPT & BSPT threads available

Application

The plastic silencer is designed to give excellent noise reduction with a minimum effect on air efficiency. The "Trimline" design allows for locating the silencer in the tightest places without extra plumbing or fittings. Fits directly into the exhaust port of most commercial valves. Open surface area of element allows for rapid discharge of air without undesirable back pressure.

Specifications

Pressure Rating:
0 to 150 PSIG
(0 to 10 bar, 0 to 1034 kPa)

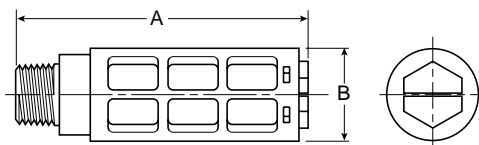
Temperature Rating:
14°F to 140°F (-10°C to 60°C)

Body:
Acetal (Plastic)

Element:
Polyethylene



Dimensions



Thread Size	Part Number		A (mm)	B (mm)	Maximum Flow (SCFM) 100 PSIG Inlet	Sound Pressure Level (dBA)	
	NPT	BSPT				20 PSIG Inlet	100 PSIG Inlet
M5	AS-5		.43 (11)	.32 (8)	15	69	79
1/8"	ASN-6	AS-6	1.57 (40)	.63 (16)	51	69	81
1/4"	ASN-8	AS-8	2.56 (65)	.83 (21)	124	67	84
3/8"	ASN-10	AS-10	3.35 (85)	.98 (25)	247	83	98
1/2"	ASN-15	AS-15	3.74 (95)	1.18 (30)	370	69	96



Operation

Compressor oils and lubricating oils are exhausted into the ECS.

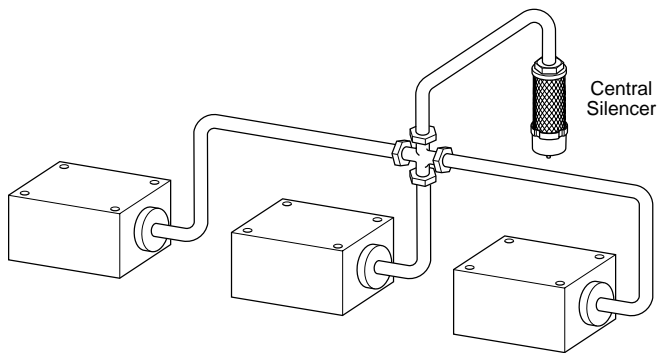
Oil aerosols are "coalesced" into larger droplets and gravity pulls them into the attached drain sump.

The sump can then be drained manually or by using a 1/4" ID plastic tube drain. The air flowing into the ECS is also muffled or silenced as it enters the inside of the ECS and passes through the filter media into the atmosphere.

ECS3 / ECS5

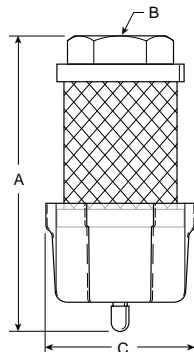
The ECS solves two problems inherent in compressed air exhaust from valves, cylinders, vacuum generators and air motors - oil mist removal and noise abatement.

The ECS will improve your industrial plant environment, thereby improving worker productivity.



Dimensions

Model	A	B	C
ECS3	5.30 (135)	1/2" NPT	2.57 (65)
ECS5	7.30 (185)	1" NPT	2.57 (65)



Features

The ECS (Muffler-Reclassifier) eliminates unwanted oil mist and reduces exhaust noise from pneumatic components.

- 99.97% Oil removal efficiencies
- 25 dBA Noise attenuation
- 1/2" NPT and 1" NPT
- Disposable units
- Continuous or plugged drain option
- Metal retained construction
- Fast exhaust time

Improve Overall Plant Environment

Exhaust oil mist and noise pollution have a direct impact on worker productivity.

Oil aerosol mist from lubricators and compressors is pervasive and enters the industrial plant environment through the exhaust ports of valves, cylinders and air motors. This rapidly expanding exhaust also produces sudden and excessive noise.

The ECS (Muffler-Reclassifier) is 99.97% efficient at removing the oil aerosols. The ECS also acts as a silencer to lower the dBA levels below O.S.H.A. requirements.

The result is a cleaner, quieter environment which equates to greater work productivity and safety.

Specifications

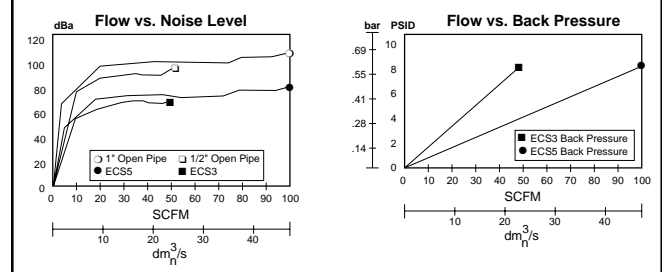
Maximum Operating Temperature

125°F (52°C)

Maximum Line Pressure

100 PSIG (690 kPa)

Performance Characteristics



Ordering Information

